

**LA FELSINEA S.R.L.**

Via L. Einaudi, 47
35016 Piazzola Sul Brenta (PD) - ITALY
Tel. +39 049 9601602 r.a. - Fax +39 049 9601606
E-mail: info@felsinea.com
Website: <http://www.felsinea.com>

AGS 300

- Anodized cast aluminium alloy.
- Great distance between blade and motor for easy cleaning.
- Ventilated motor.
- Forged, hardened large thickness blades.
- Carriage running on self-lubricating bushes and lapped pins.
- Stainless steel screws and slice deflector.
- Strong thickness gauge support.
- Cast-in sharpener assembly.
- Compact dimensions and great cutting capacity.
- CE professional with device for releasing the carriage.
- Teflon coated or toothed blades are available on demand.
- 25° blade inclination



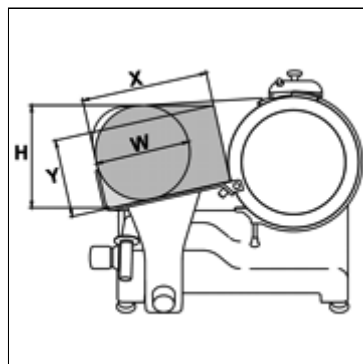
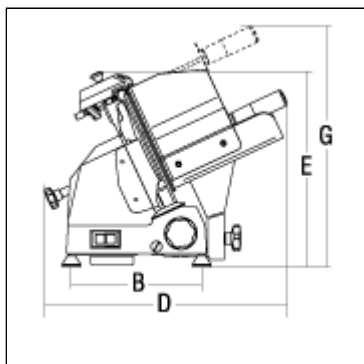
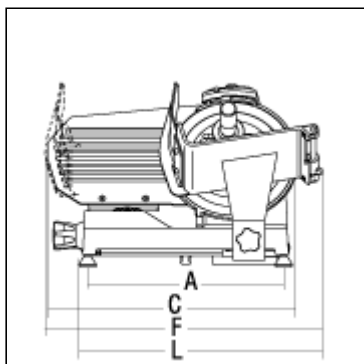
Underside motor protection plate



Teflon blades



Device for releasing the carriage

**Model****AGS 300 Y09**

Power source

230V 50 Hz F+N

Motor

Watt 210 - Hp 0,29

Blade

Ø 300 mm - 12"

Cut thickness

mm 13

Run of carriage

mm 285

A

435 mm

B	295 mm
C	600 mm
D	610 mm
E	420 mm
F	640 mm
G	510 mm
L	535 mm
X	250 mm
Y	185 mm
H	225 mm
W	210 mm
Blade inclination	25°
Net weight	Kg 20,5
Shipping	mm 800x600x520
Gross weight	Kg 23,5